

Simplified Single Line Diagram (SLD) Template

Rule 21 SNEM

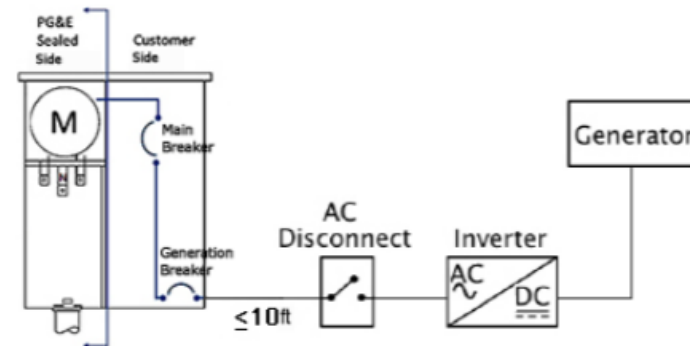
SNEM with inverter nameplate rating less than or equal to 30 kVA/kW

E. Basic Single-Line Diagram (SLD) for Solar Projects (check one):

- I certify that the SLD below and the PV equipment information in Part II accurately represent the Customer's service, the Generating Facility (there are no other Generator Facility(ies) connected to the service, and the project does not require a Variance Request.

Utility Service: (if using the SLD to the right)

Panel Voltage (volts)	Main Breaker (amps)	PV Breaker Size (amps)



- I will submit a custom SLD for one or more of the following reasons: there is/are existing Generating Facility(ies) connected to the service, I am modifying an existing Generating Facility, the Basic SLD does not accurately reflect the project, or I am submitting a Variance Request. (See Part III Section D for Custom SLD details.)

Simplified Single Line Diagram (SLD) Template

Rule 21 SNEM Paired Storage

SNEM Paired Storage Systems with inverter nameplate rating less than or equal to 30 kVA/kW and Storage less than or equal to 10 kVA/kW

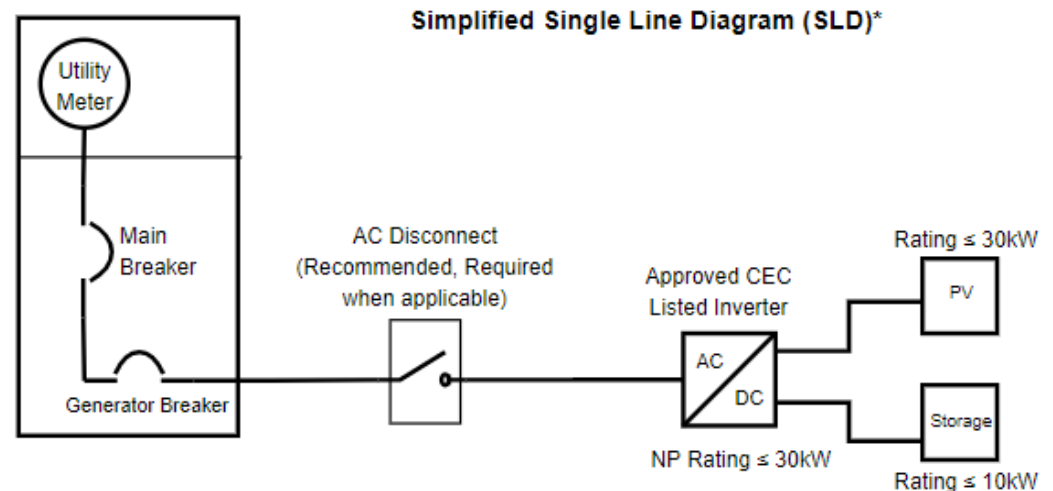
Basic Single Line Diagram (SLD):

By checking this box, I certify all of the following:

- 1) There is no Generating Facility(ies) connected to the Producer's service
- 2) The SLD below and the Generating Facility equipment information in Part II accurately represent the Customer's service
- 3) The project does not require a Variance request
- 4) Producer's storage device(s) will not cause the Host Load to exceed its normal peak demand. Normal peak demand is defined as the highest amount of power required from the Distribution System by Producer's complete facilities without the influence or use of the energy storage device(s)

Utility Service: (if using the SLD to the right)

Panel Voltage (Volts)	Main Breaker (Amps)	Generator Breaker (Amps)



*See Greenbook Table 5-4 for AC Disconnect Requirements, www.pge.com/greenbook

*The simplified SLD represents only equipment that is required by PG&E for interconnection for this specific application only

NOTE: If you cannot certify the above, you need to submit a custom SLD. You do not need to submit the basic SLD, if it is not applicable. Custom SLDs should include: 1) the service address, 2) meter number, 3) quantity, make, model of all generation equipment, 4) existing generation (if applicable), 5) the utility service ratings show in the basic SLD above, 6) point of interconnection clearly identified in relation to the main breaker.

Simplified Single Line Diagram (SLD) Template

Rule 21 Non Export – Protection Option 3

Storage Systems with inverter nameplate rating less than or equal to 10 kVA/kW

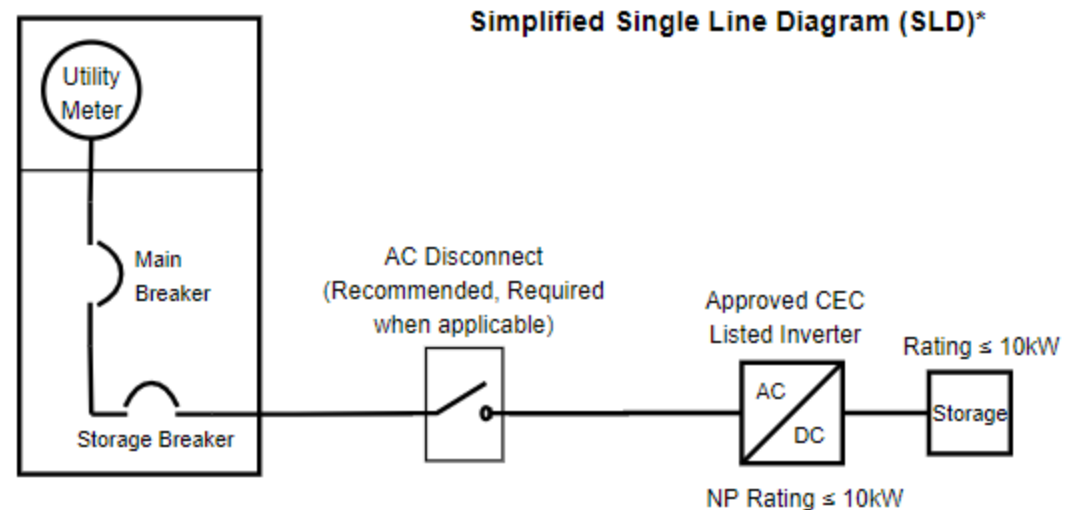
Basic Single Line Diagram (SLD)

By checking this box, I certify all of the following:

- 1) There is no Generating Facility(ies) connected to the Producer's service
- 2) The SLD below and the Generating Facility equipment information in Part II accurately represent the Customer's service
- 3) The project does not require a Variance request
- 4) Producer's storage device(s) will not cause the Host Load to exceed its normal peak demand. Normal peak demand is defined as the highest amount of power required from the Distribution System by Producer's complete facilities without the influence or use of the energy storage device(s)
- 5) The Producer selects the Rule 21 Non-Export protection Option 3 (Certified Non-Islanding Protection)

Utility Service: (if using the SLD to the right)

Panel Voltage (Volts)	Main Breaker (Amps)	Storage Breaker (Amps)



***See Greenbook Table 5-4 for AC Disconnect Requirements, www.pge.com/greenbook**

***The simplified SLD represents only equipment that is required by PG&E for interconnection for this specific application only**

NOTE: If you cannot certify the above, you need to submit a custom SLD. You do not need to submit the basic SLD, if it is not applicable. Custom SLDs should include: 1) the service address, 2) meter number, 3) quantity, make, model of all generation equipment, 4) existing generation (if applicable), 5) the utility service ratings show in the basic SLD above, 6) point of interconnection clearly identified in relation to the main breaker.

Simplified Single Line Diagram (SLD) Template

Rule 21 Non Export – Protection Option 6

Storage Systems with inverter nameplate rating less than or equal to 10 kVA/kW

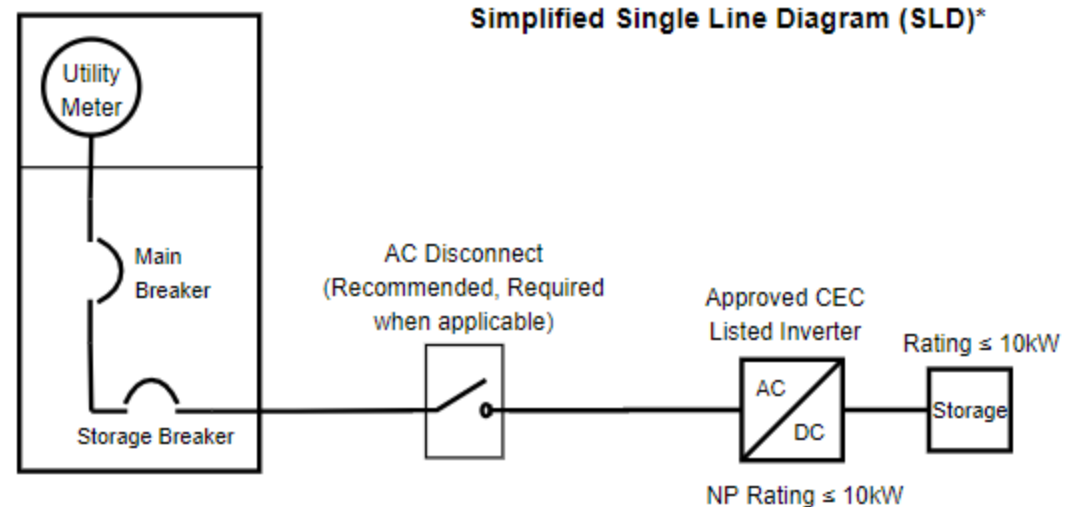
Basic Single Line Diagram (SLD)

By checking this box, I certify all of the following:

- 1) There is no Generating Facility(ies) connected to the Producer's service
- 2) The SLD below and the Generating Facility equipment information in Part II accurately represent the Customer's service
- 3) The project does not require a Variance request
- 4) Producer's storage device(s) will not cause the Host Load to exceed its normal peak demand. Normal peak demand is defined as the highest amount of power required from the Distribution System by Producer's complete facilities without the influence or use of the energy storage device(s)
- 5) The system is utilizing a certified UL 1741 CRD power control system or a PG&E pre-approved power control system that meets the Rule 21 Section Mm (Option 6) requirements

Utility Service: (if using the SLD to the right)

Panel Voltage (Volts)	Main Breaker (Amps)	Storage Breaker (Amps)



*See Greenbook Table 5-4 for AC Disconnect Requirements,

www.pge.com/greenbook

*The simplified SLD represents only equipment that is required by PG&E for interconnection for this specific application only

NOTE: If you cannot certify the above, you need to submit a custom SLD. You do not need to submit the basic SLD, if it is not applicable. Custom SLDs should include: 1) the service address, 2) meter number, 3) quantity, make, model of all generation equipment, 4) existing generation (if applicable), 5) the utility service ratings show in the basic SLD above, 6) point of interconnection clearly identified in relation to the main breaker.